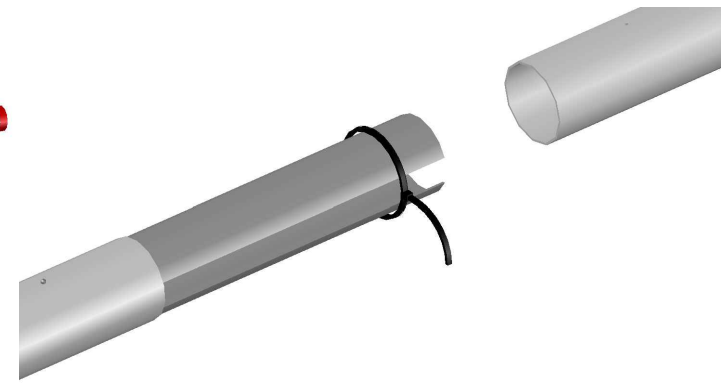
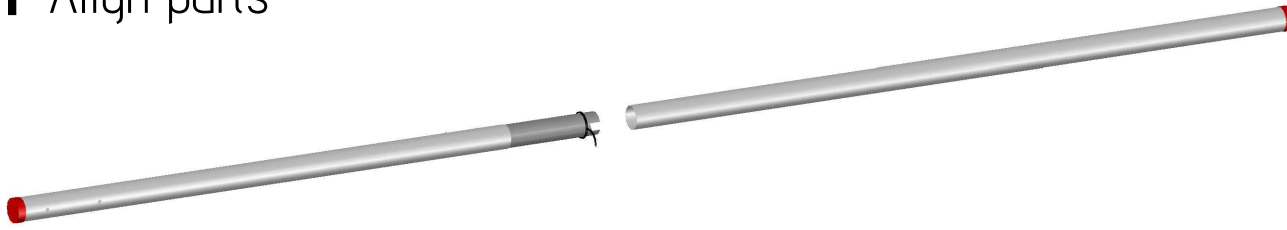
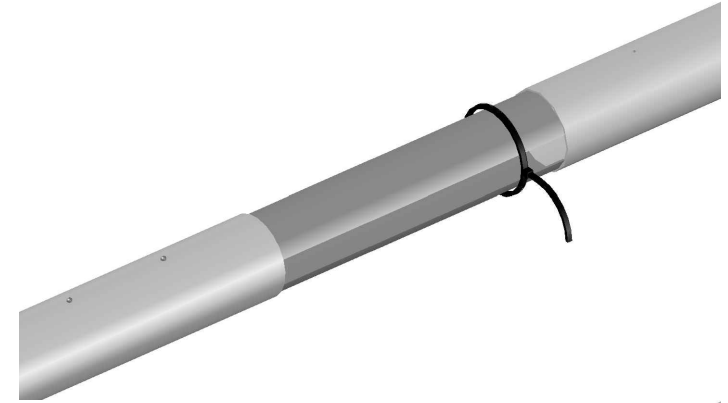
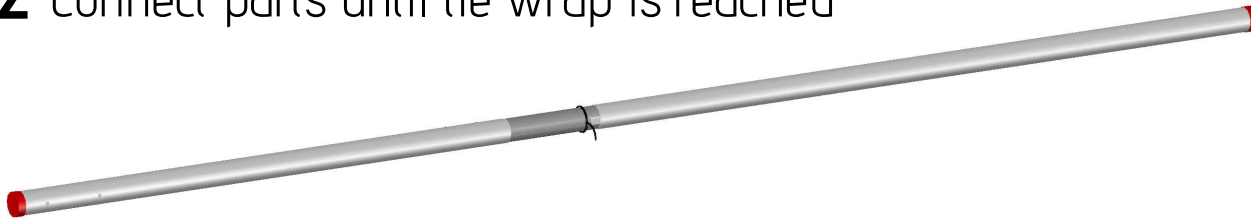


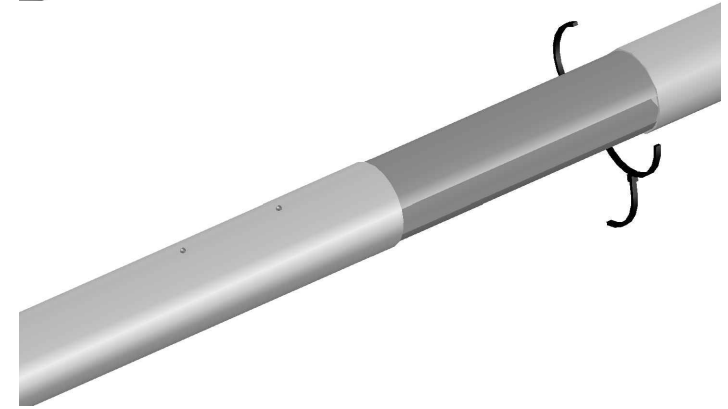
1 Align parts



2 Connect parts until tie wrap is reached



3 Cut tie wrap and until parts meet and continue connection until insert is completely covered



4 Insert provided self-tapping screws in the pre-drilled holes

